

LED Lamp

KCL-L Series



Part Number Description

KCL-L 1 2

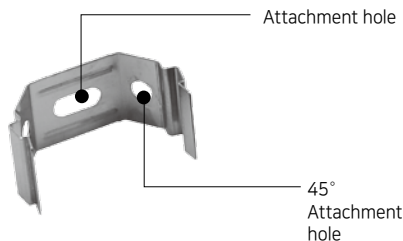
1 Length of LED part	250 : 250mm	330 : 330mm	400 : 400mm
2 Voltage	A : 100~240VAC	D : 12~24VDC(Non-polar)	

Specification

		KCL-L250	KCL-L330	KCL-L400	
Optical characteristic	Brightness at 1M (Lux)	150	200	280	
	Lens	Translucent			
	LED Color	Daylight color(6,500k)			
	Rated Voltage	12~24VDC 100~240VAC 50/60Hz			
Current consumption	12VDC	410mA / 5.0W	550mA / 6.7W	660mA / 8.0W	
	24VDC	205mA / 5.0W	275mA / 6.7W	330mA / 8.0W	
	100VAC	47mA / 4.6W	63mA / 6.1W	76mA / 7.4W	
	240VAC	21mA / 4.6W	29mA / 6.1W	35mA / 7.4W	
General Ratings	Insulation Resistance	100MΩ min.(at 500VDC)			
	Dielectric Strength	2,000VAC 1 minute.			
	Ambient Temperature	-20 ~ 70°C			
	Degree of Protection	None			
	Material	Front	Diffusion PC		
		Back	PC(Polycarbonate)		
		Side cover	PC(Polycarbonate)		
		Safety Cover for Terminal Block	PC(Polycarbonate)		
	Bracket	SUS			
	Certification	CE, KC			
	Weight	Approx. 120g	Approx. 144g	Approx. 162g	
	Terminal	M3.5 Bolt	0.8Nm(8.16kgf·cm)		
LED life expectancy	50,000 hours				

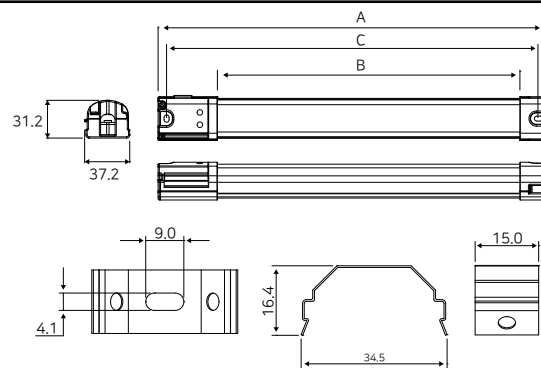
Product composition

- Basic components : LED Lamp 1EA, mounting bracket 2EA, M4 fastening bolt 2EA
- Option(KCL-MG) : Panel mounted magnet 2EA, M4 bolt 2EA, M4 nut 2EA, Magnetic damage prevention rubber 2EA



Dimension

unit : mm



	A	B	C
KCL-L250	320.0	250.0	307.5
KCL-L330	400.0	330.0	387.5
KCL-L400	470.0	400.0	457.5

Rev. 2/14

Data subject may change without notice.

www.kacon.co.kr

Industrial Controls Catalog

IV - 89