

Waterlevel Switch & Leak Detector

FLR Series

Part Number Description

FLR - ① ②

① Description	202 : Socket / 3pole	203 : Socket & Panel / 3pole
② Sensitivity	B: General Sensitivity	C : High Sensitivity

HS - ① A




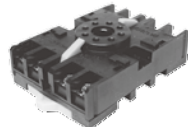
① Poles	3 : 3Pole
---------	-----------

General Specification

Recede type		Socket		Socket+Panel	
Mounting					
Poles		FLR - 202B	FLR - 202C	FLR - 203B	FLR - 203C
		3 pole	3 pole	3 pole	3 pole
Sensitivity	Operating	5kΩ max.	25kΩ max.	5kΩ max.	25kΩ max.
	Return	15kΩ min.	35kΩ min.	15kΩ min.	35kΩ min.
Purpose		General sensitivity	High sensitivity	General sensitivity	High sensitivity
Supply Voltage	220VAC				
Rated Current	5A 250VAC				
Dielectric Strength	2,000VAC 1 minute				
Insulation Resistance	100MΩ 500VDC				

☞ The specification and material of the product can be changed without notice for higher quality.

Product Selection

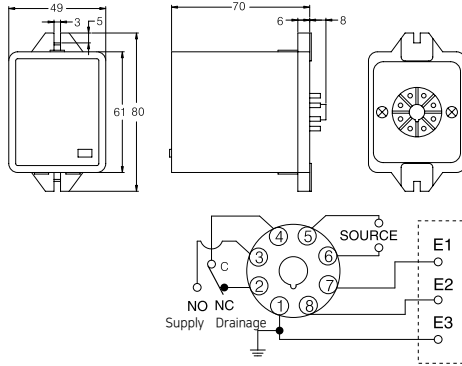
	Type	Sensitivity			Type	Sensitivity	
		General	High			General	High
	3 Pole Socket	FLR - 202B	FLR - 202C		3 Pole Socket +Panel	FLR - 203B	FLR - 203C
	Type	3 Pole			Type	3 Pole	5 Pole
	Electrode Holder	HS - 3A			Socket	K2CF08K K2CF08 (203 socket) K2BF08 (203 panel)	



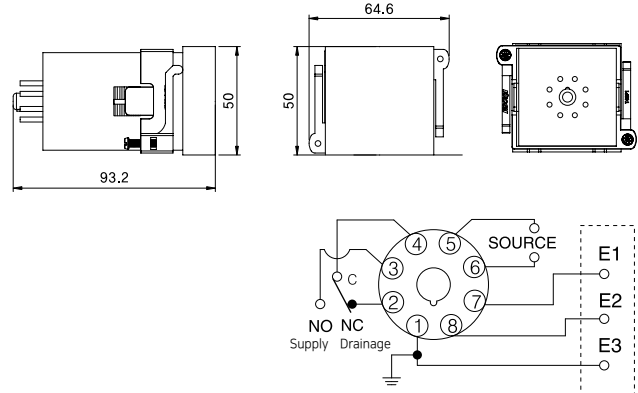
(mm)

Dimension & Diagram

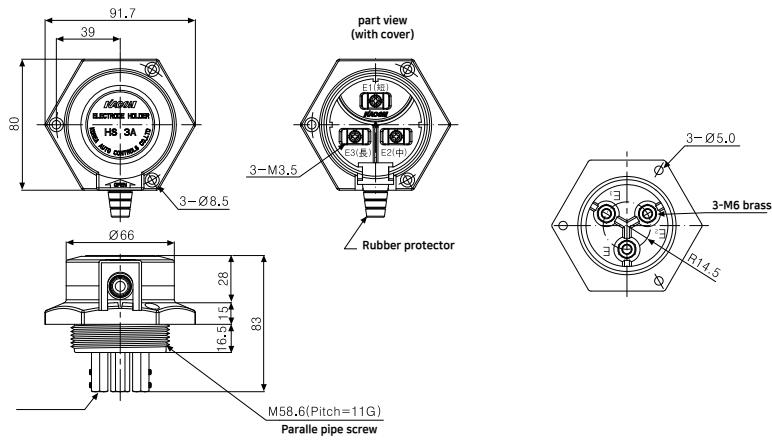
FLR-202B / FLR-202C



FLR-203B / FLR-203C

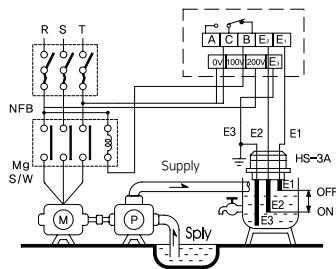


HS-3A



Example wiring

Supply



Drainage

