

Signal Phone

KSP Series, 41/42/43 Series, 61/62 Series



Part Number Description

KSP	-	1	2	3	4
1 Sound		4 : 4 Sound		6 : 16 Sound	
2 Supply Voltage		1 : 110/220VAC 50/60Hz		2 : 12/24VDC	3 : 100 - 125VDC (KSP-4 series only)
3 KSP-4 Type		S : Melody Variation		T : Beep-Sound Tempo Variation	
KSP-6 Type (Speaker Size)		L : □72mm		S : □48mm	
4 Color (KSP-6 Type Only)		S : Silver		K : Black	




General Specification

Size	L : □72mm	S : □48mm
Power Consumption	Max. 5W	
Maximum Sound Level	80 - 90dB(Phon) 1m / alterable	80 - 85dB(Phon) 1m / alterable
Life Cycle	Min. 1,000hrs	
Color	silver, black	
Ambient Temperature	-10 - +60°C	
Tightening Torque	0.5N·m (5.1kgf·cm)	
Degree of Protection	KSP-4 Series : IP65	KSP-6 Series : IP54

Note) In case of S Type speaker, life may be shortened when energized continuously for a long time.

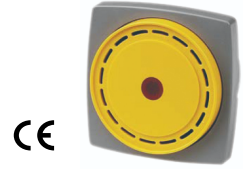
41/42/43 Series			61/62 Series				
KSP-4□S		KSP-4□T	Mode 1(00) ■■	Mode 2(01) ■■	Mode 3(10) ■■	Mode 4(11) ■■	
K1	Ambulance	Fast tempo ambulance	K1	Fast	Continuous	Space gun	Highly intermittent
K2	Patrol	Slow tempo	K2	Slow	Intermittent	Phone ringtone	Highly continuous
K3	Telephone	High tone telephone	K3	Do-re-mi	Ambulance	School bell	Splash splash
K4	'Stepping stone' song	Low tone 'stepping stone' song	K4	Jingle bell	Batter entrance	Stepping stones	Siloam

Product Selection

	Description	110VAC / 220VAC	12VDC / 24VDC	100 - 125VDC
	Melody Variation	KSP - 41S	KSP - 42S	KSP - 43S
	Beep-Sound Tempo Variation	KSP - 41T	KSP - 42T	KSP - 43T
	Small Silver	KSP - 61SS	KSP - 62SS	-
	Small Black	KSP - 61SK	KSP - 62SK	-
	Large Silver	KSP - 61LS	KSP - 62LS	-
	Large Black	KSP - 61LK	KSP - 62LK	-

Buzzer




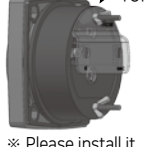
KMB Series



General Specification

Supply Voltage	24VAC, 12/24VDC, 110/125VDC, 110VAC, 220VAC	
Current Consumption	Max. 5W	
Maximum Output	1W	
Maximum Sound Levels	85dB(Phon) / 1m	
Degree of Protection	IP40	
Sound Type	AC : Electrical (vibration sound)	DC : Electronic (Front LED display)
Tightening Torque	0.8N·m (8.16kgf·cm)	

Product Selection

Operating Mechanism	Part Number	Supply Voltage	Operating Mechanism	Part Number	Supply Voltage	Accessory	Part Number
 Exposed Type Buzzer	KMB-N80	24VAC	 Built-in Buzzer	KMB-P80	24VAC	 KMB-C	 TOP ※ Please install it on the top
		12/24VDC			12/24VDC		
		110/125VDC			110/125VDC		
		110VAC			110VAC		
		220VAC			220VAC		

- ☞ The voltage and specifications other than the aforementioned product are customized. Please contact the agency for delivery data and price.
- ☞ The aforementioned product ratings 110/125VDC and 110VAC refer to the range of 110V ~ 125V.

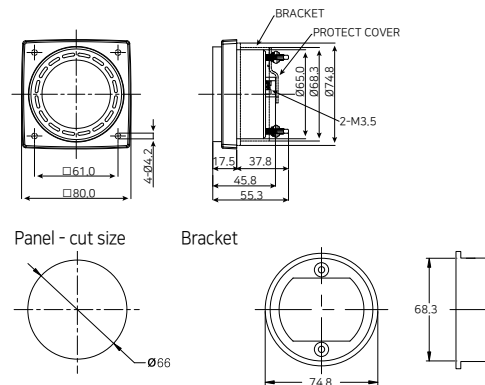
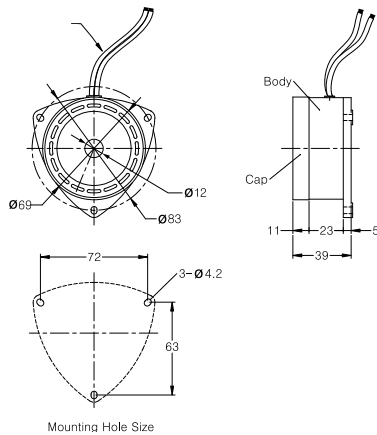
Dimensions & Diagram

Unit : mm

KMB-N80

KMB-P80

Wire length : 200mm x 2
Lead wire : VCTF 0.75mm² x 2



Caution

- DC electric buzzer has a contact in series with the inductive load coil. Therefore, its life is limited, and it may cause disturbance to other devices due to its noise. Installing a noise filter at the power can prevent the noise.
- The external impact may change the tone.