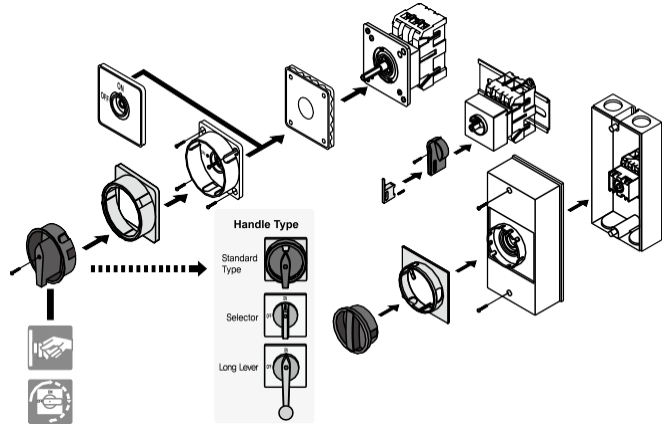
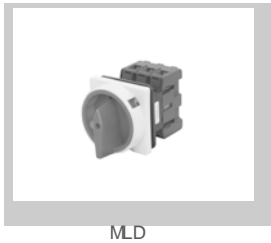


# MLD, MLDX Series Disconnect



## Part Number

<b>MLD</b> - [1] [2] [3] - [4] (Base Mounted Load Switches)				
① Rated Current	020 : 20A	025 : 25A	032 : 32A	040 : 40A
	063 : 63A	080 : 80A	100 : 100A	125 : 125A
② Installation	P : Panel	D : Din Rail & Surface	ES : Extension Shaft (Body and Din Rail)	
③ Handle	E : E-stop	S : Short handle	K : Long handle	

<b>MLDX</b> - [1] [2] (Enclosed Disconnect Load Switches)			
① Rated Current	020 : 20A	032 : 32A	040 : 40A
	063 : 63A	080 : 80A	100 : 100A
② Handle	D : Embedded type		



## Performance and Characteristics

Distinguish	Model	MLD - 020		MLD - 025		MLD - 032		MLD - 040		MLD - 063		MLD - 080		MLD - 100		MLD - 125	
		<b>Rated insulation Voltage(Ui)</b>	V	690		690		690		690		690		690		690	
<b>Rated current (Ith)</b>	A	25		25		32		40		63		80		100		125	
<b>Rated applicable current (Ie)</b> AC-23A AC-3	A	15		15		22		30		43		57		70		90	
	A	11		11		15		22		36		43		57		75	
<b>Rated voltage(Ue)</b>	V	240	440	240	440	240	440	240	440	240	440	240	440	240	440	240	440
<b>Rated control power P</b> AC-23A AC-3	kW kW	3.7	5.5	3.7	5.5	5.5	11	7.5	15	9	22	15	30	22	37	30	45
		2.7	3.7	2.7	3.7	4	7.5	5.5	11	8	18.5	9	22	15	30	18	38
<b>Reference motor load</b>	V H P	240	440	240	440	240	440	240	440	240	440	240	440	240	440	240	440
		2	3	2	3	5	10	7.5	15	10	20	20	40	25	50	32	63
<b>Rated internal current Icw/s</b>	A	180		180		264		360		516		684		840		840	
<b>Cable</b>	mm <sup>2</sup>	1.25 ~ 5.5		1.25 ~ 5.5		2 ~ 14		2 ~ 14		2 ~ 38		2 ~ 38		2 ~ 60		2 ~ 60	
<b>Mounting screw torque</b>	N·m	0.8(8.16kgf·cm)						1.2(12.24kgf·cm)				2.5(25.49kgf·cm)					




\* Environment temperature: -25 ~ 70°C (no icing)

\* IP65

## MLD, MLDX Series Disconnecter

Model	Rated Current	Installation	Handle	품명
Main load disconnector - MLD-P 	20A	Panel	Standard	MLD-020PE
			Long handle	MLD-020PE-K
			Short handle	MLD-020PS
			Long handle	MLD-020PK
	25A	Panel	Standard	MLD-025PE
			Long handle	MLD-025PE-K
			Short handle	MLD-025PS
	32A	Panel	Standard	MLD-032PE
			Long handle	MLD-032PE-K
			Short handle	MLD-032PS
	40A	Panel	Standard	MLD-040PE
			Long handle	MLD-040PE-K
			Short handle	MLD-040PS
	40A	Panel	Long handle	MLD-040PK
			Standard	MLD-063PE
			Long handle	MLD-063PE-K
	63A	Panel	Standard	MLD-063PE
			Long handle	MLD-063PE-K
			Short handle	MLD-063PS
	63A	Panel	Long handle	MLD-063PK
			Standard	MLD-080PE
			Long handle	MLD-080PE-K
	80A	Panel	Standard	MLD-080PE
			Long handle	MLD-080PE-K
			Short handle	MLD-080PS
	80A	Panel	Long handle	MLD-080PK
			Standard	MLD-100PE
			Long handle	MLD-100PE-K
	100A	Panel	Standard	MLD-100PE
			Long handle	MLD-100PE-K
			Short handle	MLD-100PS
	100A	Panel	Long handle	MLD-100PK
			Standard	MLD-125PE
			Long handle	MLD-125PE-K
	125A	Panel	Standard	MLD-125PE
			Long handle	MLD-125PE-K

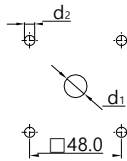
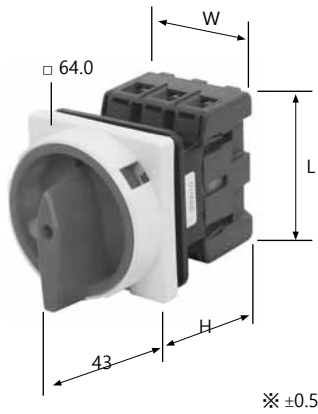
## MLD, MLDX Series Disconnecter

Model	Rated Current	Installation	Handle	품명
Main load disconnecter - MLD-DE 	20A	Din Rail & Surface	Standard	MLD-020DE
	32A	Din Rail & Surface	Standard	MLD-032DE
	63A	Din Rail & Surface	Standard	MLD-063DE
Main load disconnecter - MLD-ES 	20A	Extension Shaft	Standard	MLD-020ESE
			Short handle	MLD-020ESS
			Long handle	MLD-020ESK
	32A	Extension Shaft	Standard	MLD-032ESE
			Short handle	MLD-032ESS
			Long handle	MLD-032ESK
	40A	Extension Shaft	Standard	MLD-040ESE
			Short handle	MLD-040ESS
			Long handle	MLD-040ESK
	63A	Extension Shaft	Standard	MLD-063ESE
			Short handle	MLD-063ESS
			Long handle	MLD-063ESK
80A	Extension Shaft	Standard	MLD-080ESE	
		Short handle	MLD-080ESS	
		Long handle	MLD-080ESK	
100A	Extension Shaft	Standard	MLD-100ESE	
		Short handle	MLD-100ESS	
		Long handle	MLD-100ESK	
Main load disconnecter Box type - MLDX 	20A	-	Standard	MLDX-020D
	32A	-	Standard	MLDX-032D
	40A	-	Standard	MLDX-040D
	63A	-	Standard	MLDX-063D
	80A	-	Standard	MLDX-080D

# Disconnecter and panel size

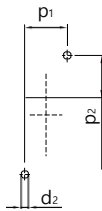
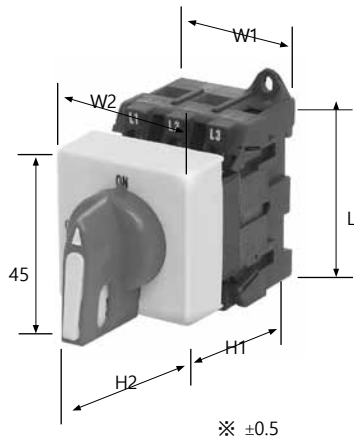
unit : mm

## MLD-P



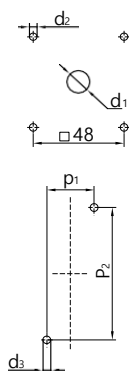
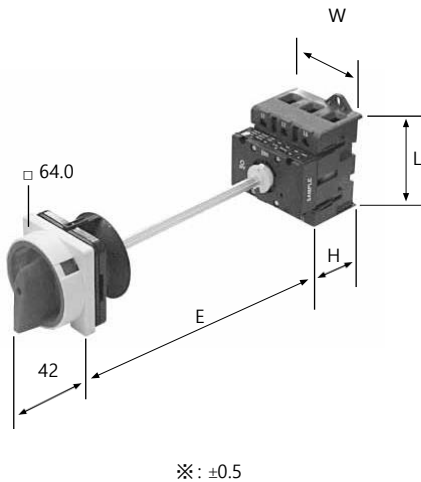
Model	Size			dimension	
	H	L	W	d1	d2
MLD-020PE	55	55	43	20.0	4.2
MLD-025PE	55	55	43	20.0	4.2
MLD-032PE	55	55	43	20.0	4.2
MLD-040PE	60	65	50	20.0	4.2
MLD-063PE	60	65	50	20.0	4.2
MLD-080PE	70	80	70	20.0	4.2
MLD-100PE	70	80	70	20.0	4.2
MLD-125PE	70	80	70	20.0	4.2

## MLD-D



Model	Size					Machining dimension		
	H1	H2	L	W1	W2	d1	p1	p2
MLD-020DE	57.5	48	55	42.5	44	4.5	22	60
MLD-032DE	57.5	48	55	42.5	44	4.5	22	60
MLD-040DE	64	48	64	50	52	4.5	25	70
MLD-063DE	64	48	64	50	52	4.5	25	70
MLD-080DE	80	30	81	71	72	4.5	25	90
MLD-100DE	80	30	81	71	72	4.5	25	90

## MLD-ES

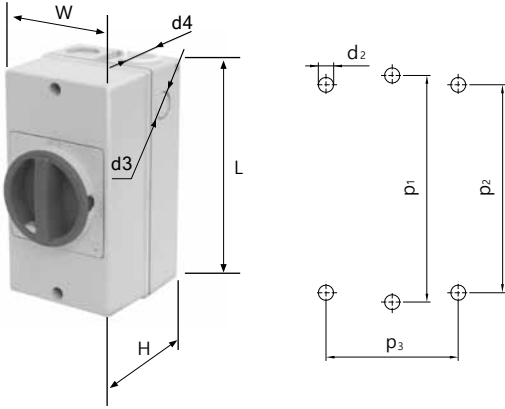


Model	Size				Panel		Machining dimension		
	H	L	W	E	d1	d2	d3	P1	P2
MLD-020ES	51	55	43	150	20	4.2	4.2	22	60
MLD-032ES	51	55	43	150	20	4.2	4.2	22	60
MLD-040ES	61	64	50	150	20	4.2	4.2	25	70
MLD-063ES	61	64	50	150	20	4.2	4.2	25	70
MLD-080ES	68	81	71	150	20	4.2	5.2	25	90
MLD-100ES	68	81	71	150	20	4.2	5.2	25	90

# MLD, MLDX Series Disconnect

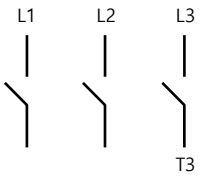
unit : mm

MLDX



Model	Size					Machining dimension			
	d4	d3	W	H	L	P1	P2	P3	d2
MLDX-020	23	19	85	82	155	148	70	70	4.1
MLDX-032	23	19	85	82	155	148	70	70	4.1
MLDX-040	29	23	95	95	185	178	85	85	4.1
MLDX-063	29	23	95	95	185	178	85	85	4.1
MLDX-080	37.5	23	145	103	250	-	229	124	6

## Circuit



## Tip:

- Using qualified cable.
- Please noted that applicable within the range of the product.
- Please turn off the power when assembly and disassembly.