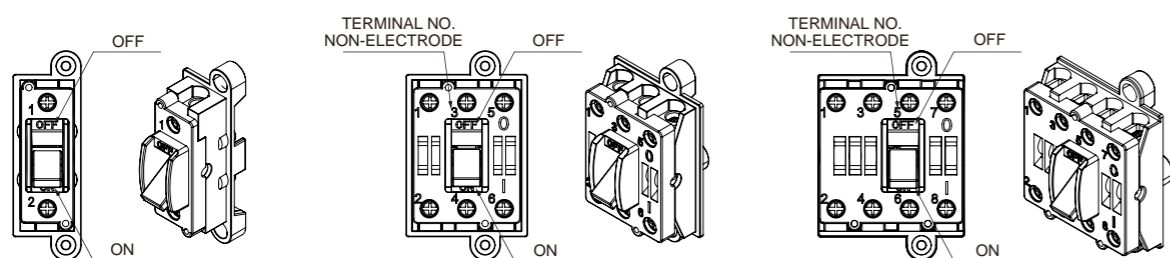


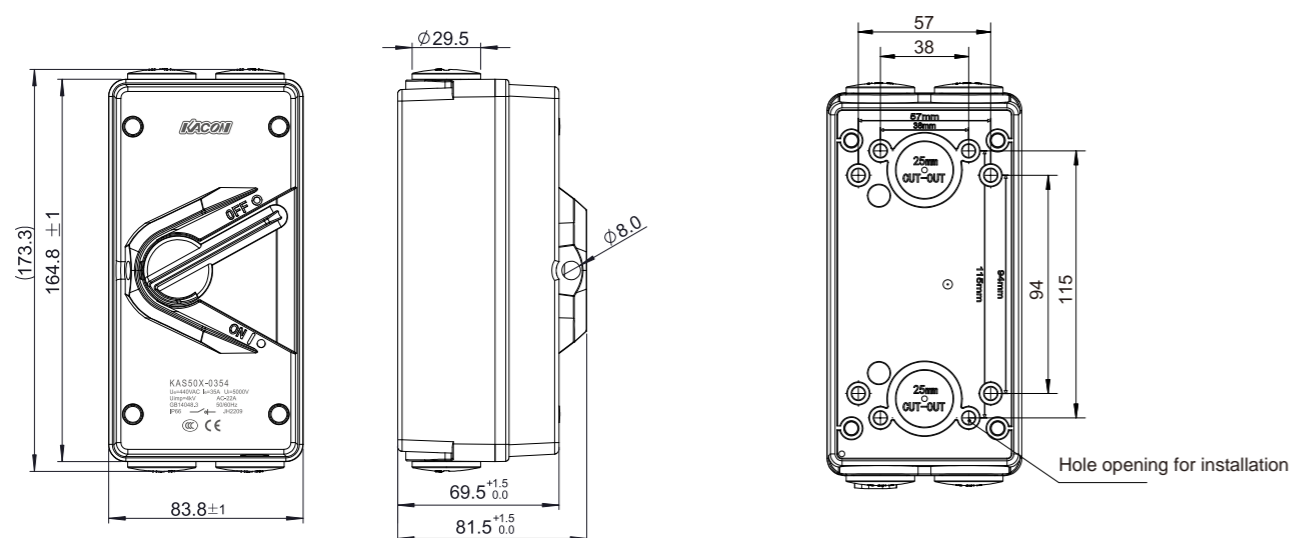
### SWITCH MARKS



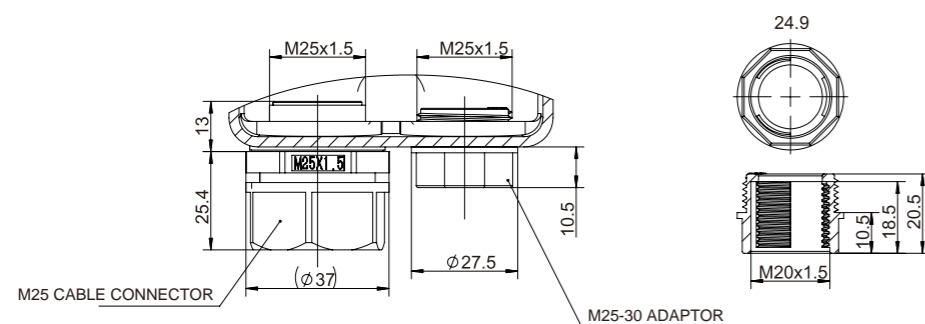
### OUTLINE AND INSTALLATION DIMENSIONS

Unit: mm

#### Dimensions



Refer to M25-30 adapter, M25 cable connector



# KAS50X

AC isolation switches



\*The appearance, structure, etc. of the product are subject to improvement for the purpose of quality improvement without prior notice.

\*Due to printing and typesetting problems in the product catalog, the actual color of the product is different. the actual product shall prevail.

\*According to the copyright law, the catalog version is owned by Zhejiang Kacon Co., Ltd. and illegal reprinting and copying are prohibited without permission.



## PRODUCT FEATURES

KAS50X series is an isolating switch installed in a plastic box, which is widely used in distribution systems and automation systems in construction, electric power, petroleum, chemical and other industries. It can effectively solve problems such as emergency disconnection, safety disconnection, machine control, and motor control.

- Clear and strong marking symbols and letter
- Visible gasket, reliable sealing guarantee.
- Stainless steel screw holder with protective cap, corrosion resistant and easy to install.
- Knob lockable safety measures.
- UV resistant configuration available.
- CE, CCC certification

## MODEL NAME

**KAS** - ① ② ③ ④

KAS: KACON AC ISOLATION SWITCH

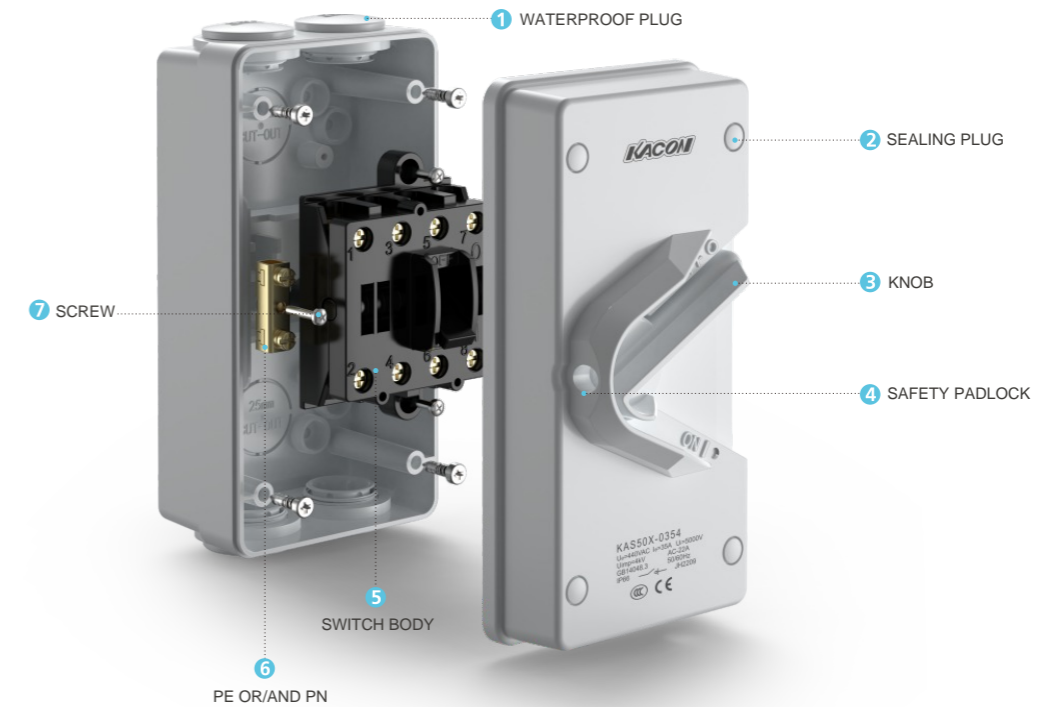
① RATED VOLTAGE	50:500V			
② WATERPROOF BOX	X			
③ RATED CURRENT	020:20A	035:35A	063:63A	
④ POLES	1: 1P	2: 2P	3: 3P	4: 4P

The above names are for model selection reference only, and the parameters cannot be combined arbitrarily. Commonly used specifications are shown in the table. If you need special customized specifications, please contact KACON.

## THE MAIN TECHNICAL PARAMETERS

PRODUCT STANDARD	IEC/EN 60947-3, GB14048.3					
SAFETY CERTIFICATE	CE, CCC					
MAIN MODEL	1NS	2NS	1N	2N	3N	4N
RATED INSULATION VOLTAGE $U_i$	500V					
RATED IMPULSE WITHSTAND VOLTAGE $U_{imp}$	4.0kV					
RATED WORKING VOLTAGE $U_e$	250VAC			440VAC		
CONVENTIONAL HEATING CURRENT $I_{the}(A)$	20,35,63		20,35,63			
RATED WORKING CURRENT $I_e$ AC-22A	$I_{the}=20A$	20	20	20	20	20
	$I_{the}=35A$	35	35	35	35	35
	$I_{the}=63A$	63	63	63	63	63
RATED SHORT-TIME WITHSTAND CURRENT ( $I_{cw}$ )	0.76kA, 1S					
SHORT CIRCUIT MAKING CAPACITY ( $I_{cm}$ )	1.5kA					
TERMINAL CROSS SECTIONAL AREA	THE MAIN CIRCUIT	25mm <sup>2</sup> (max)				
	NEUTRAL POLE OR GROUND POLE	16mm <sup>2</sup> (max)				
WIRE TIGHTENING TORQUE	THE MAIN CIRCUIT	1.8N.m(max)				
	NEUTRAL POLE OR GROUND POLE	1.5N.m(max)				
CABLE INTERFACE	4 x M25					
KNOB DIAMETER	6mm(max)					
RoHS	ENVIRONMENTAL REQUIREMENTS COMPLY WITH THE RoHS 2.0 DEVICE					

## STRUCTURE FEATURES



## WIRING

POLE	型号	接线图
1 POLE	KAS50X-0201	
	KAS50X-0351	
	KAS50X-0601	
2 POLE	KAS50X-0202	
	KAS50X-0352	
	KAS50X-0602	
3 POLE	KAS50X-0203	
	KAS50X-0353	
	KAS50X-0603	
4 POLE	KAS50X-0204	
	KAS50X-0354	
	KAS50X-0604	