

HRF-MD5

Medium Aluminum Foot Switch
FOOT SWITCH SERIES



IP67



UV resistant



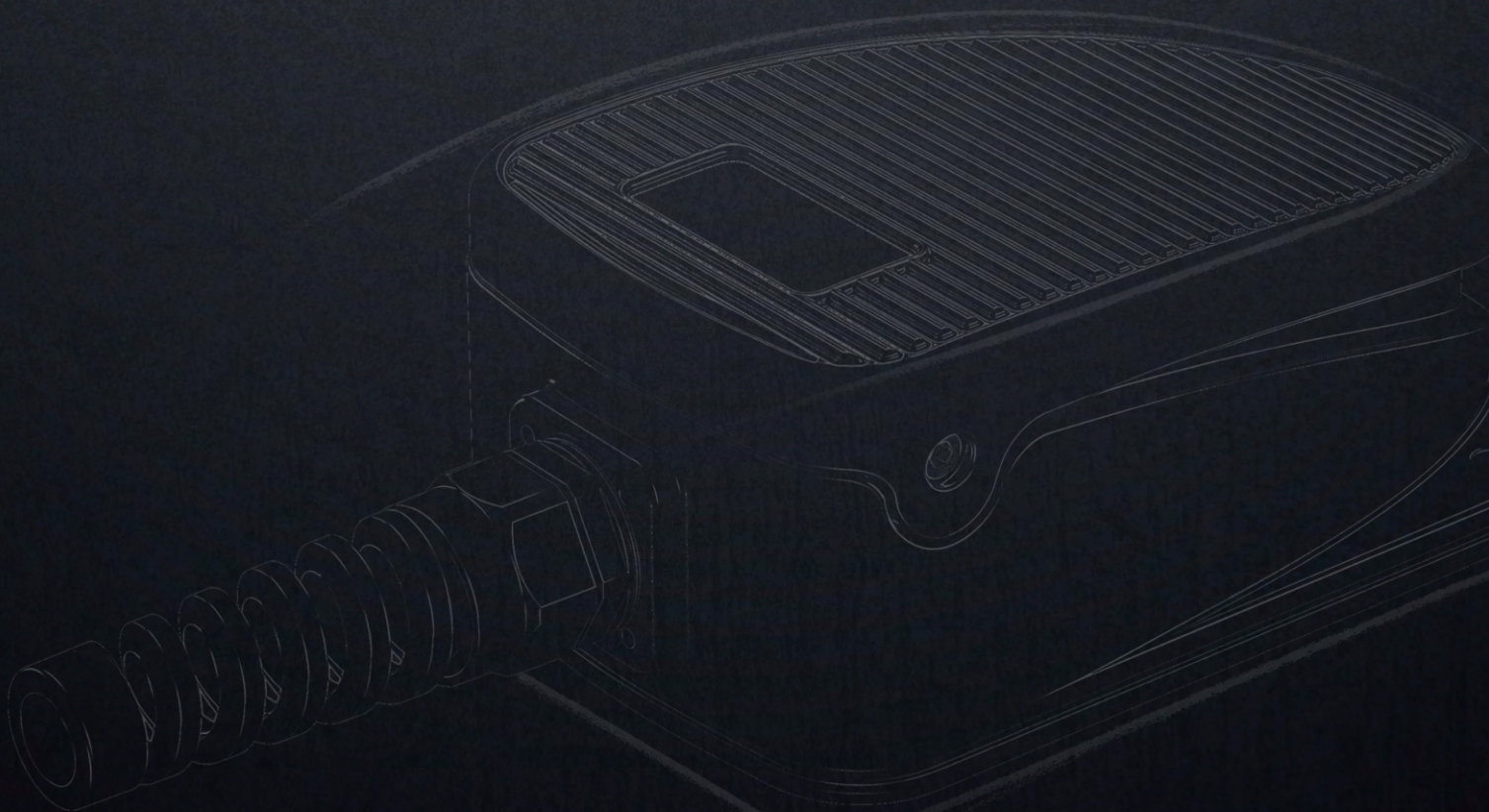
Flame retardant



CE



CCC



HRF-MD5

Medium Aluminum Foot Switch Foot switch series

Model Naming

HRF-MD5 ①-②③④⑤-□

HRF-MD5 Medium Aluminum Foot Switch

① Combination form

- None: Default single
- 3: 2-pedals
- 3: 3-pedals

② Pedal color

- None: Black (standard color, can be omitted)
- Y: Yellow
- A: Orange
- R: Red

③ Connector

- None: No connector(standard)
- A: 6.35mm audio connector (standard)
(3.5mm can be customized)
- D: DB9 serial connector
- U: USB connector
- P: Aviation plug socket

④ Micro-action form

- None: Default Z-type single micro switch
- 2C: Z-type double micro switches

⑤ Cable

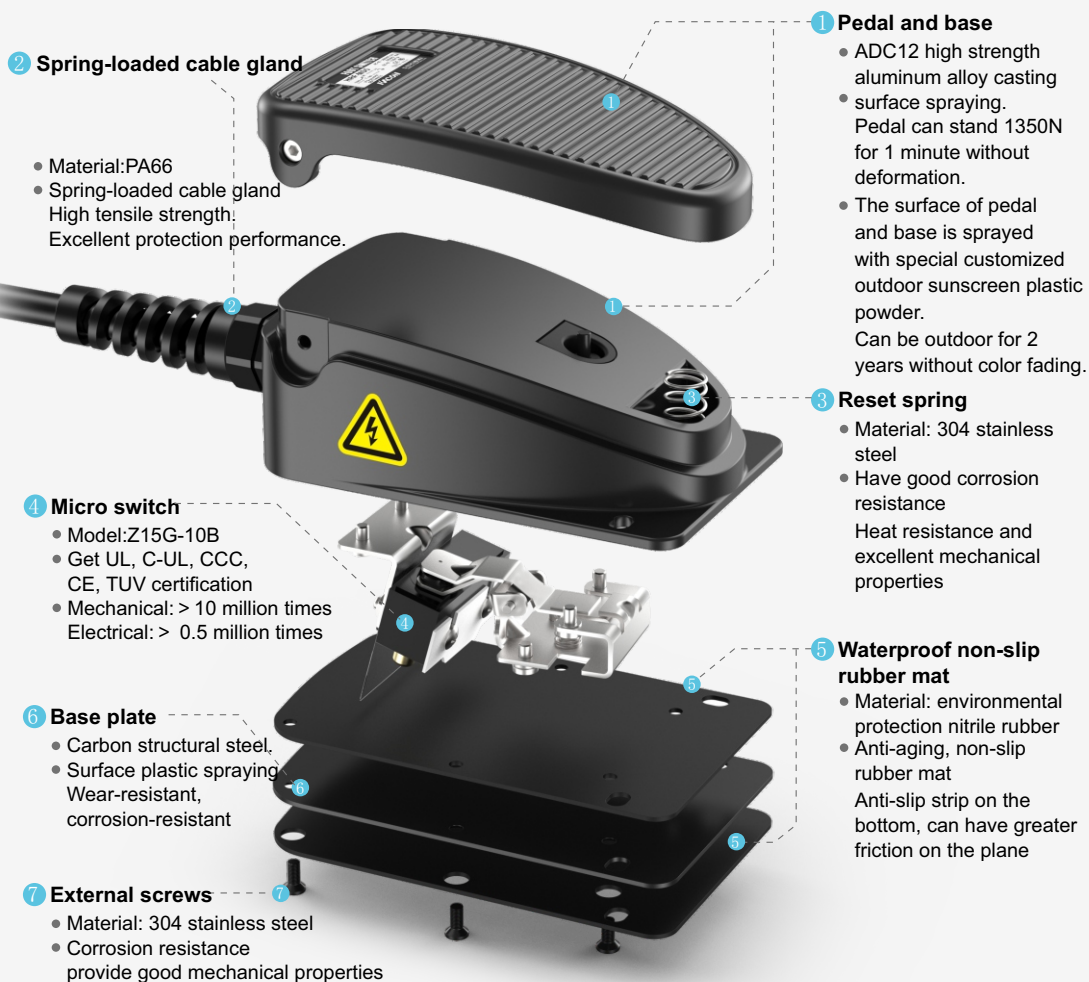
- None: 0.75mm²×2m(standard configuration)
- 3: 0.75mm²×3m
- 5: 0.75mm²×5m

○ Fixed mounting plate

- None: Short base plate
- L: Long base plate



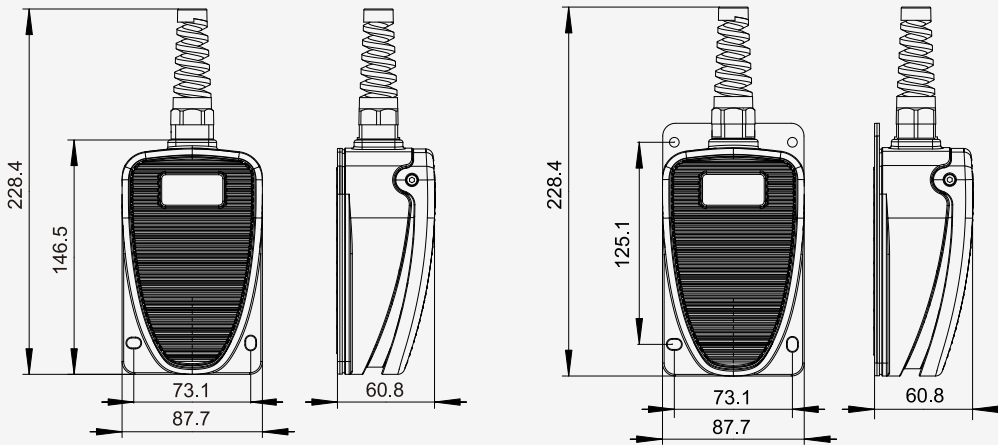
Structural characteristics





Internal switch

(Unit:mm)



Short base plate dimensions

Long base plate dimensions

Product Characteristics

- Serialized, multi-functional full range of advanced foot switches, the surface of which is processed by baking plastic, and its basic color is black.
- It is friction-resistant, aging-resistant, high and low temperature-resistant, chemical corrosion-resistant, and has high safety protection performance.
- Built-in Z15G-10G momentary micro switch, UL, C-UL, CCC, CE certified.
- Spring-loaded cable gland at the cable exit end provide high tensile strength and excellent protection.
- Adopts back pedal press to reduce human fatigue.
- Ultraviolet resistance, sun protection.

General Characteristics

Material	Aluminum
Contact resistance	Below 50MΩ (first time)
Insulation resistance	Above 100mΩ, 500VDC test
Dielectric withstanding voltage	2000VAC for 1 minute
Mechanical life	> 1 million times
Electrical life	> 0.5 million times
Ambient temperature	-25 ~+70 (no condensation, no icing)
Ambient humidity	-45%~85%RH
IP rating	IP67

Two types of mounting base plates

Can be fixed to the mounting plate with M5 or M6 bolts and nuts.



Multiple connection methods

Standard three-core cable two meters long, other options can be customized.



Cable connection



Aviation Plugs



USB connection



Db9 Serial connector



Audio Plug